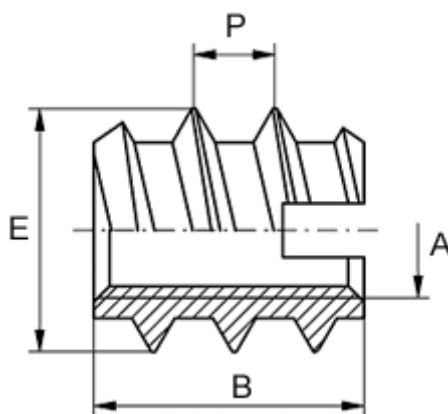


Article number: 12309000100100
Description: KLEE-coil 309 000 100.100
M10 Unhardened steel

Measures



Female thread A	= M10
Length B	= 23
Male thread E	= 16.0
Min hole depth	= 26
Recommended bore diameter (plastic/hard wood)	= 12.6 to 12.8
Recommended bore diameter, soft wood (largest)	= 12.0
Thread pitch P	= 5.0